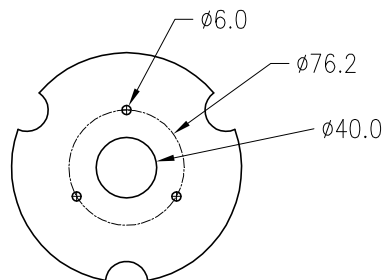
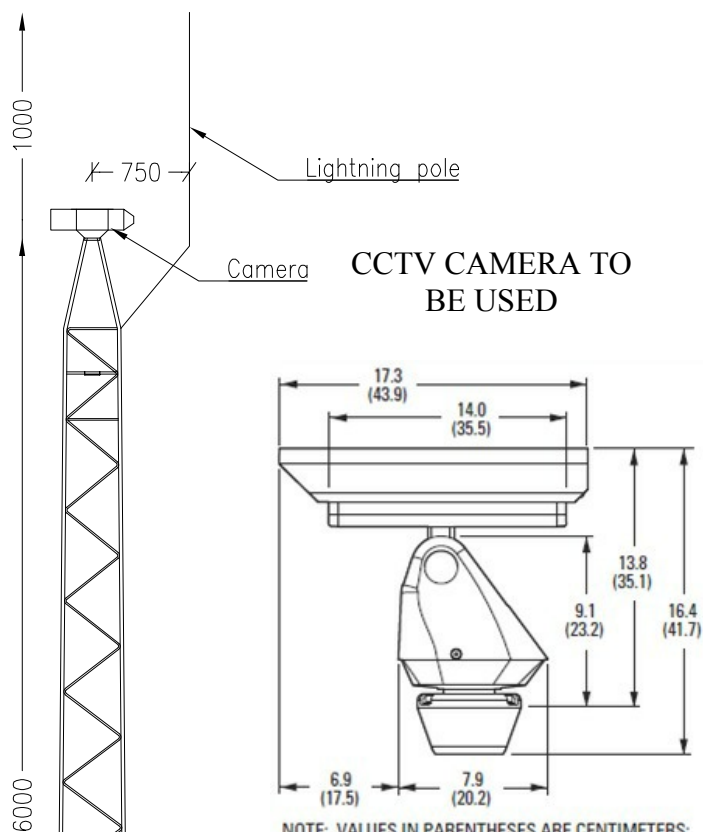


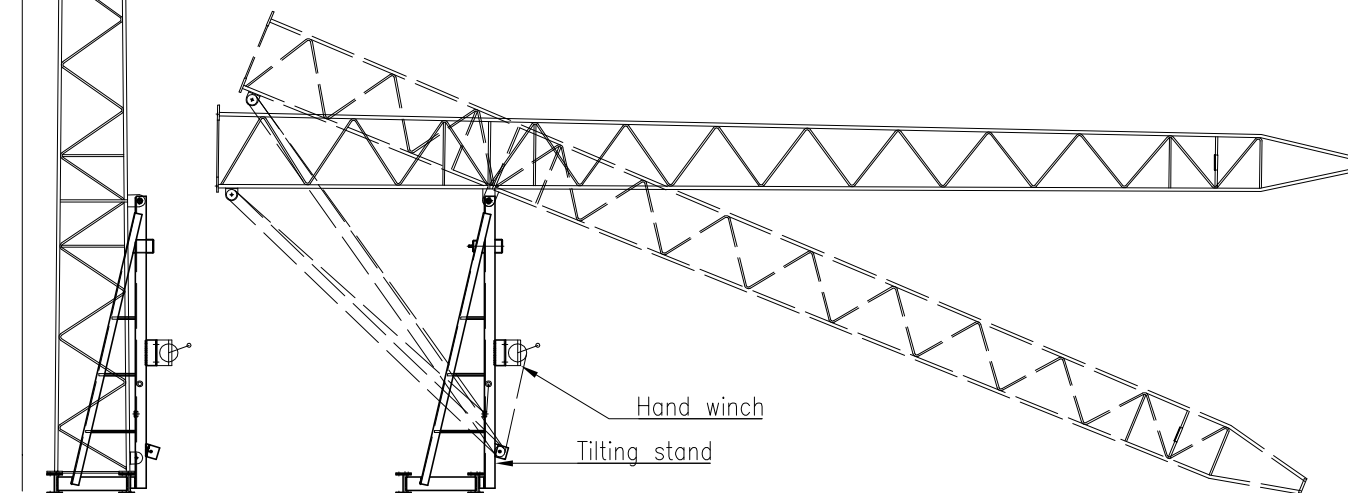
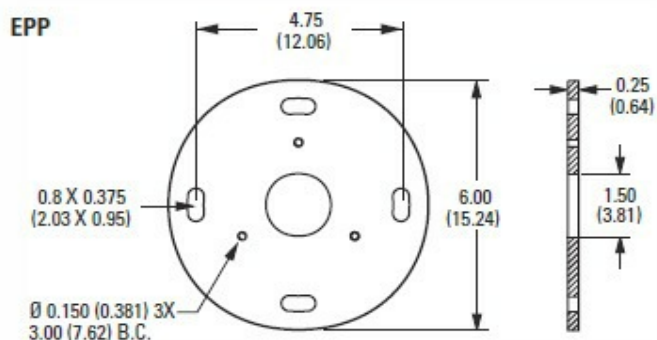
TOWER TOP PLATE FOOT PRINT For CAMERA


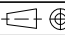
Note:

Plate for camera
T = 10mm



EPP PLATE FOOT PRINT used as base for DESIGN



	Customer: Specimen Drawing with Camera Interface Plate		
	Subjekt: 6,0m CCTV tower incl. tilting stand		
	Date: 23.10.12	Production no.:	Scale:
	Rev. date:	Order no.: 8901-2	Int.: RM
Rev./int.:	Drawing no.: 6mtower		Projektion:  Format: Tolerance: 0-1000: ± 1 mm 1001-5000: ± 2 mm 5001-~: ± 3 mm Holediameter: $\pm 0,5$ mm Node distance: ± 10 mm
This drawing is our property and must not be copied, transferred or in any other way used by a third party without our written permission			